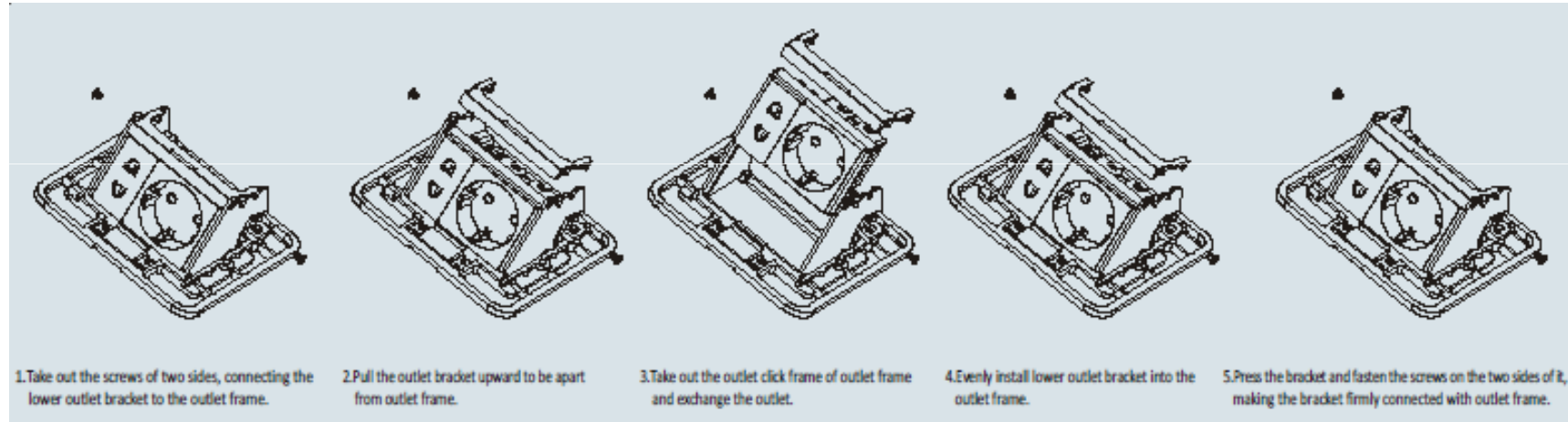


FLOOR CONNECT

PRACTICO

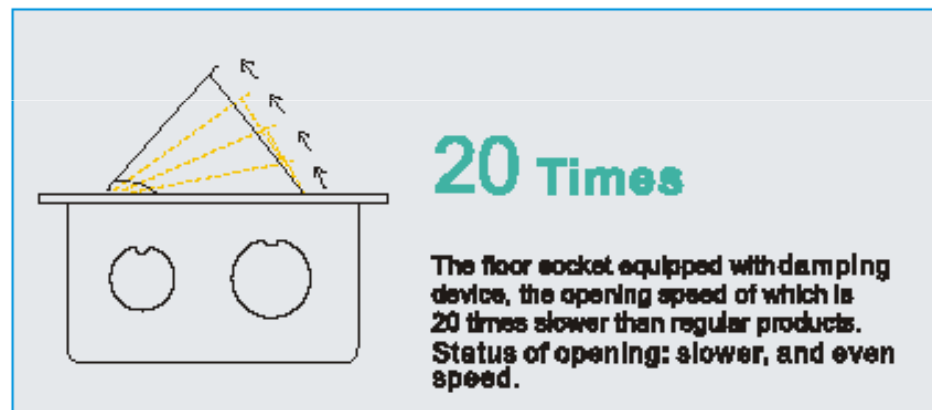


Terminal for floor socket



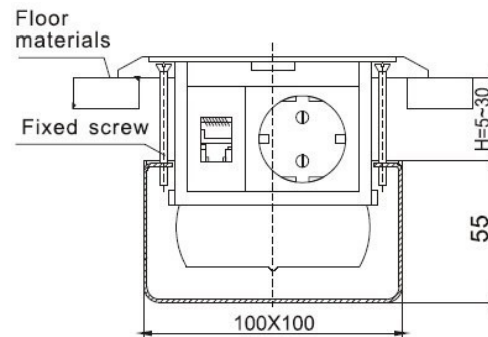
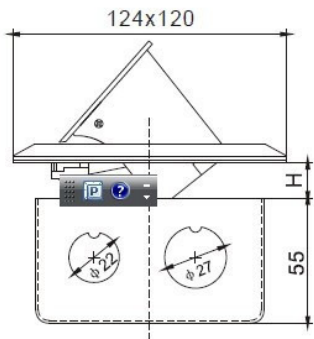
Comparing with all kinds of present Pop-up floor socket, it has the characteristics of long life, stable performance, little noise and safe to operate etc. Lightly dial the lock catch, the Pop-up mechanism will raise slowly at even speed and the nearby electrical equipment can easily get power from the product, which thoroughly solve the defects of short life, big noise, unsafe, etc. That caused by present similar products which has big impulse force when spring up for using. It is also easy for installation.

More safety ↓



Square pop-up type floor sockets

3 Modules



If H>30mm, can use longer fixing screws

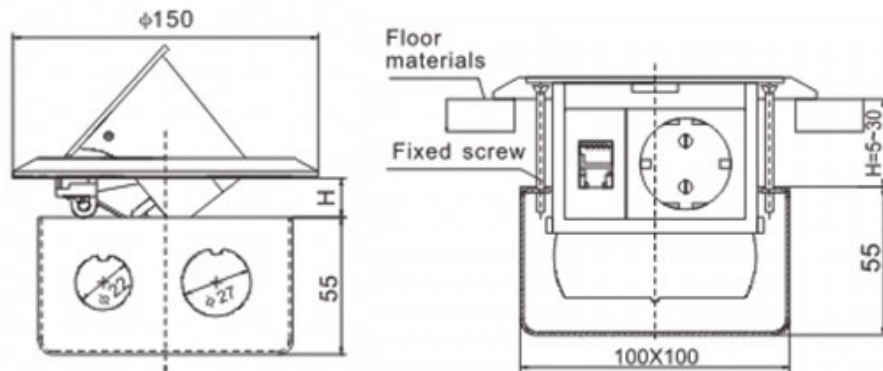
Panel material : Brass alloy, Stainless steel, Resin

Round pop-up type floor sockets

3 Modules

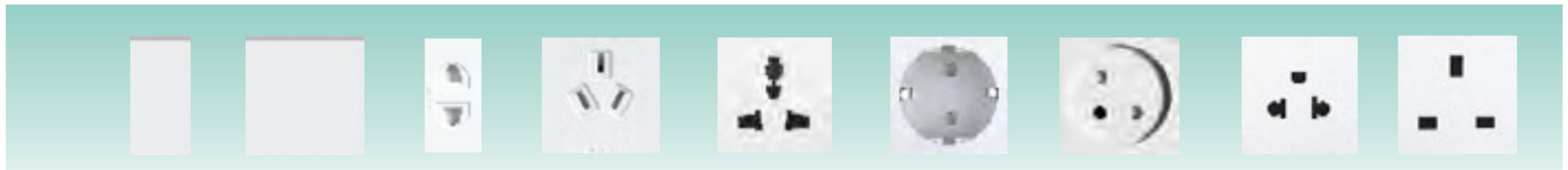


Stainless Steel Box

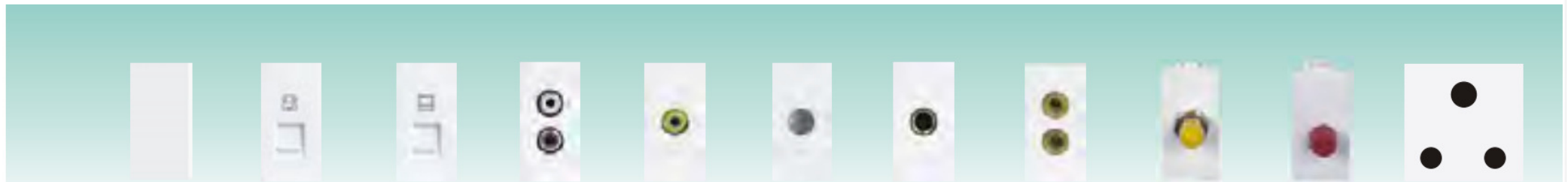


Panel material : Brass alloy, Resin

Module Accessories



Type	1 gang switch	1 gang big switch	2 pin socket	3 pin 10A	3 pin multi function	European socket	Israel socket	Amreican socket	BS socket
Art No.	F1	F2	F3	F4	F5	F6	F7	F8	F9



Type	Empty plate	RJ11	RJ45	Audio socket	Vedio socket	TV socket	Speaker socket	Hi-fi socket	ST optical fiber module	LC optical fiber module	South African socket
Art No.	F10	F11	F12	F13	F14	F15	F16	F17	F18	F19	F30



Type	2SC optical fiber module	USB	15 pins VGA (female type)	15 pins VGA (male type)	Kalon	9 pins VGA (male type)	9 pins VGA (female type)	15 pins VGA (Both sides male type)	15 pins VGA (Both sides female)	HDMI	S-terminal
Art No.	F20	F21	F22	F23	F24	F25	F26	F27	F28	F29	F31

Test Certificate

Manufacturer: WENZHOU SINO ELECTRO-TECHNICAL CO., LTD.
 Model: 100Y-4
 Power: 1000W
 Voltage: 220V
 Frequency: 50Hz
 Protection Class: IP44
 Test Method: IEC 60034-7
 Test Result: Passed
 Test Date: 2014-11-10
 Test Location: Wenzhou Sino Electro-Technical Co., Ltd.

IP 44 Test Report

Institution: TÜV SÜD
 Certificate No.: 14101193-001
 Product: 100Y-4
 Standard: IEC 60034-7
 Test Result: Passed
 Validity: 12 months

TUV Certificate

Institution: TÜV SÜD
 Certificate No.: 14101193-001
 Product: 100Y-4
 Standard: IEC 60034-7
 Test Result: Passed
 Validity: 12 months

TUV Certificate

Report No.: 14101193-001
 Model: 100Y-4
 Product: 100Y-4
 Standard: IEC 60034-7
 Test Result: Passed
 Validity: 12 months

CE Certificate

Report No.: 14101193-001
 Model: 100Y-4
 Product: 100Y-4
 Standard: IEC 60034-7
 Test Result: Passed
 Validity: 12 months

CE Certificate

This is to Certify that the Quality Management System of
WENZHOU SINO ELECTRO-TECHNICAL CO., LTD.
 Ding jian Village, Nanqiang Town,
 Taiping City, Wenzhou
 Zhejiang
 P.R. China
 has been assessed by the Certification Service
 and found to comply with
ISO 9001:2008
 for the
 Manufacture and sale (import) of floor connect, utility sockets, wall sockets and
 related accessories.

ISO9000:2008

THANK YOU

**PRACTICO INTERIOR SOLUTIONS PVT LTD
217 , R G COMPLEX -1
SECTOR 14 , ROHINI
NEW DELHI -110085**

Phone : 011-42474423

Mobile : +91 9810654706

Email : gaurav.practico@gmail.com ;

Gaurav@practico.in

Website : www.practico.in

